

GENERAL NOTES:

THE OHIO DEPARTMENT OF TRANSPORTATION "CONSTRUCTION AND MATERIAL SPECIFICATIONS", CURRENT EDITION, AND THE CURRENT "RULES AND REGULATIONS" OF BUTLER COUNTY SHALL GOVERN ALL CONSTRUCTION ITEMS ON THIS PLAN, UNLESS OTHERWISE NOTED.

THE CONTRACTOR IS RESPONSIBLE FOR OBTAINING ALL NECESSARY PERMITS PER LOCAL, STATE, AND FEDERAL REQUIREMENTS.

WHERE PLANS REFER TO CONTRACTOR, IT MAY MEAN SUBCONTRACTOR AT THE GENERAL CONTRACTOR'S DISCRETION.

ALL WORK IN PUBLIC RIGHT OF WAY, INCLUDING UTILITY CUTS/TAPS WILL NEED A PERMIT FROM BUTLER COUNTY AND/OR ODOT.

THE CONTRACTOR SHALL BE SOLELY RESPONSIBLE FOR COMPLYING WITH ALL APPLICABLE FEDERAL, STATE AND LOCAL SAFETY REQUIREMENTS TOGETHER WITH EXERCISING PRECAUTIONS AT ALL TIMES FOR THE PROTECTION OF PERSONS AND PROPERTY. IT IS ALSO THE RESPONSIBILITY OF THE CONTRACTOR AND SUB-CONTRACTOR(S) TO INITIATE, MAINTAIN AND SUPERVISE ALL SAFETY REQUIREMENTS, PRECAUTIONS AND PROGRAMS IN CONNECTION WITH THIS WORK.

ITEM 201: CLEARING AND GRUBBING: THIS WORK CONSISTS OF CLEARING, GRUBBING, SCALPING, REMOVING TREES AND STUMPS, AND REMOVING ALL VEGETATION AND CONSTRUCTION DEBRIS FROM THE LIMITS SHOWN ON THE PLANS, EXCEPT SUCH OBJECTS THAT ARE TO REMAIN OR ARE TO BE REMOVED ACCORDING TO OTHER ITEMS OF WORK.

USE REMOVED OR EXCAVATED MATERIALS IN THE WORK WHEN THE MATERIAL CONFORMS TO THE SPECIFICATIONS; IF NOT THEN RECYCLE, OR DISPOSE OF THE MATERIAL ACCORDING TO 105.16 AND 105.17.

REMOVE OR SAVE ALL TREES, SHRUBS, AND PLANTS AS DESIGNATED ON THE PLANS. PRESERVE ALL VEGETATION AND OBJECTS NOT DESIGNATED FOR REMOVAL. PAINT CUT OR SCARRED SURFACES OF TREES OR SHRUBS SELECTED FOR RETENTION ACCORDING TO 666.04. IN ORDER TO RETARD AND PREVENT THE SPREAD OF THE EMERALD ASH BORER, LIMIT THE MOVEMENT OF REGULATED ARTICLES ACCORDING TO OHIO ADMINISTRATIVE CODE 901:5-56. OBSERVE REQUIREMENTS FOR HANDLING AND TRANSPORTING OF REGULATED ARTICLES IN QUARANTINED AREAS AS DEFINED BY THE OHIO DEPARTMENT OF AGRICULTURE (HTTP://WWW.AGRI.OHIO.GOV/EAB/).

ALL EROSION AND SEDIMENT CONTROL SHALL BE IN ACCORDANCE WITH THE SWPPP PLAN AND LOCAL AND OHIO EPA REGULATIONS. THE CONTRACTOR IS RESPONSIBLE FOR ALL INSPECTIONS AND REPORTING AS REQUIRED BY THE OHIO EPA FOR THE NATIONAL POLLUTANT DISCHARGE ELIMINATION (NPDES) PERMIT. CONTRACTOR SHALL PROVIDE WRITTEN REPORTS TO THE OWNER AND KEEP COPY ON FILE.

THE LOCATIONS AND ELEVATIONS OF EXISTING UTILITIES SHOWN ON THIS PLAN HAVE BEEN DETERMINED THROUGH INFORMATION PROVIDED BY THE VARIOUS UTILITY OWNERS AND BY FIELD SURVEY, BUT ARE NOT GUARANTEED TO BE ACCURATE OR COMPLETE. IT SHALL BE THE RESPONSIBILITY OF THE CONTRACTOR, PRIOR TO CONSTRUCTION, TO DETERMINE THE ACTUAL FIELD LOCATIONS AND ELEVATIONS OF ALL EXISTING UTILITIES IMPACTING HIS WORK. THE CONTRACTOR IS DIRECTED TO CONTACT THE OHIO UTILITY PROTECTION, INC. AT 1 (800) 362-2764 AT LEAST 72 HOURS PRIOR TO BEGINNING CONSTRUCTION ACTIVITIES.

THE LOCATION, SUPPORT, PROTECTION AND RESTORATION OF ALL EXISTING UTILITIES AND APPURTENANCES SHALL BE THE RESPONSIBILITY OF THE CONTRACTOR AND SHALL BE INCLUDED IN THE UNIT PRICE BID FOR THE VARIOUS ITEMS.

THE DESIGN ENGINEER ASSUMES NO RESPONSIBILITY FOR THE MEANS, METHODS, PROCEDURES, TECHNIQUES, OR SEQUENCES OF OPERATIONS OF THE CONTRACTOR, NOR FOR SAFETY ON THE JOB SITE OR THE CONTRACTOR'S FAILURE TO COMPLETE THE WORK AS SPECIFIED ON THIS PLAN.

THE CONTRACTOR IS RESPONSIBLE FOR PROVIDING ALL SURVEYING AND CONSTRUCTION STAKING REQUIRED FOR SITEWORK IN THIS PACKAGE AT THE CONTRACTOR'S EXPENSE.

THE CONTRACTOR SHALL RESTRICT ALL CONSTRUCTION ACTIVITIES TO THE PROJECT SITE AND EXISTING RIGHTS-OF-WAY, CONSTRUCTION AND PERMANENT EASEMENTS AND SHALL NOT TRESPASS UPON OTHER PROPERTY WITHOUT WRITTEN CONSENT OF THE PROPERTY OWNER.

ACCESS TO ADJOINING PROPERTIES SHALL BE MAINTAINED AT ALL TIMES.

ANY STORM PIPES DAMAGED DURING CONSTRUCTION SHALL EITHER BE RESTORED TO ITS ORIGINAL CONDITION OR CONNECTED TO THE STORM SEWER SYSTEM AS DIRECTED BY THE ENGINEER.

THE CONTRACTOR SHALL DISPOSE OF ALL SURPLUS EXCAVATION AS DIRECTED OR APPROVED BY THE OWNER.

ALL TRENCHES SHALL BE BACKFILLED OR SECURELY PLATED DURING NON-WORKING HOURS.

ALL MANHOLES, FIRE HYDRANTS AND VALVE BOXES SHALL BE ADJUSTED TO FINAL GRADE AT THE CONTRACTOR'S EXPENSE.

GRANULAR BACKFILL SHALL BE REQUIRED IN ALL TRENCHED IN AREAS OF EXISTING PAVEMENT. FILL IN PROPOSED PAVEMENT OR BUILDING PAD AREAS SHALL BE COMPACTED TO THE PROJECT'S GEOTECHNICAL ENGINEER'S RECOMMENDATIONS AND FIELD PERSONELL APPROVAL.

STORM SEWERS AND STRUCTURES:

ALL PROPOSED STORM SEWERS AND STRUCTURES ARE PRIVATE AND SHALL BE MAINTAINED BY THE OWNER. SUPPLY PIPE OF THE REQUIRED SIZE OR ONE SIZE LARGER. PROPOSED STORM SEWERS "PR. STM" SHALL BE PVC-SDR 35/ HIGH DENSITY POLYETHYLENE (HDPE), PER ODOT 707.33/ OR REINFORCED CONCRETE PIPE, PER ODOT ITEM 706.02, CLASS IV. ALL STORM SHALL BE INSTALLED PER ODOT ITEM 611.10, TYPE A (CULVERTS) AND TYPE B (STORM/SANITARY UNDER PAVEMENT).

611.06 BEDDING, TYPE 1 BEDDING CONSISTS OF STRUCTURAL BACKFILL EXTENDING AT LEAST 6 INCHES (150 MM) BELOW THE BOTTOM OF THE CONDUIT FOR THE FULL WIDTH OF THE TRENCH. COMPACT THE BEDDING ACCORDING TO 611.06.

USE TYPE 1 BEDDING FOR 706.05, OR 706.051 AND 706.052 ON SLAB BOTTOMS, OR CORRUGATED INVERT PLATES.

TYPE 2 BEDDING CONSISTS OF STRUCTURAL BACKFILL EXTENDING AT LEAST 3 INCHES (75 MM) FOR ALL 706 RIGID PIPE CONDUITS AND 6 INCHES (150 MM) FOR ALL OTHER CONDUITS BELOW THE BOTTOM OF THE CONDUIT FOR THE FULL WIDTH OF THE TRENCH. EXTEND THE BEDDING UP AROUND THE PIPE FOR A DEPTH OF NOT LESS THAN 30 PERCENT OF THE RISE OF THE CONDUIT. SHAPE THE BEDDING TO FIT THE CONDUIT WITH RECESSES SHAPED TO RECEIVE THE BELL OF BELL-AND-SPIGOT PIPE. LEAVE THE BEDDING BELOW THE MIDDLE ONE-THIRD OF THE PIPE SPAN UNCOMPACTED. COMPACT THE REMAINING BEDDING ACCORDING TO 611.06.

USE TYPE 2 BEDDING FOR TYPES A, B, C, AND D CONDUITS EXCEPT FOR LONG SPAN STRUCTURES AND FOR CONDUITS THAT REQUIRE TYPE 3 BEDDING.

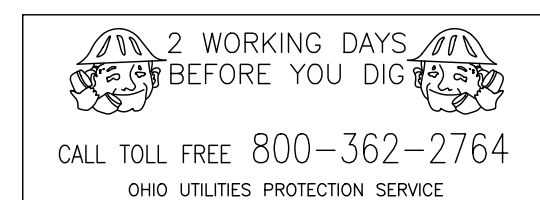
COMPACTED FILLS SHALL BE MADE TO A MINIMUM OF THREE FEET ABOVE THE CROWN OF ANY PROPOSED SEWER PRIOR TO TRENCHING FOR PLACEMENT OF SEWER. ALL FILLS SHALL BE INSPECTED AND APPROVED BY THE PROJECT'S GEOTECHNICAL ENGINEER, OR PER GOVERNING AGENCIES APPROVAL.

CATCH BASINS AND/OR MANHOLES OVER 4 FEET SHALL BE FURNISHED WITH STEPS, MEETING ODOT ITEM 706.13, 711.13, 711.30, OR 711.31.

CATCH BASINS LOCATED IN PAVEMENT AREAS SHALL HAVE FINGER DRAINS. (SEE DETAIL SHEET). DISTANCES LISTED ON THE PLANS ARE FROM CENTER OF STRUCTURE TO CENTER OF STRUCTURE.

EXCAVATION/FILL:

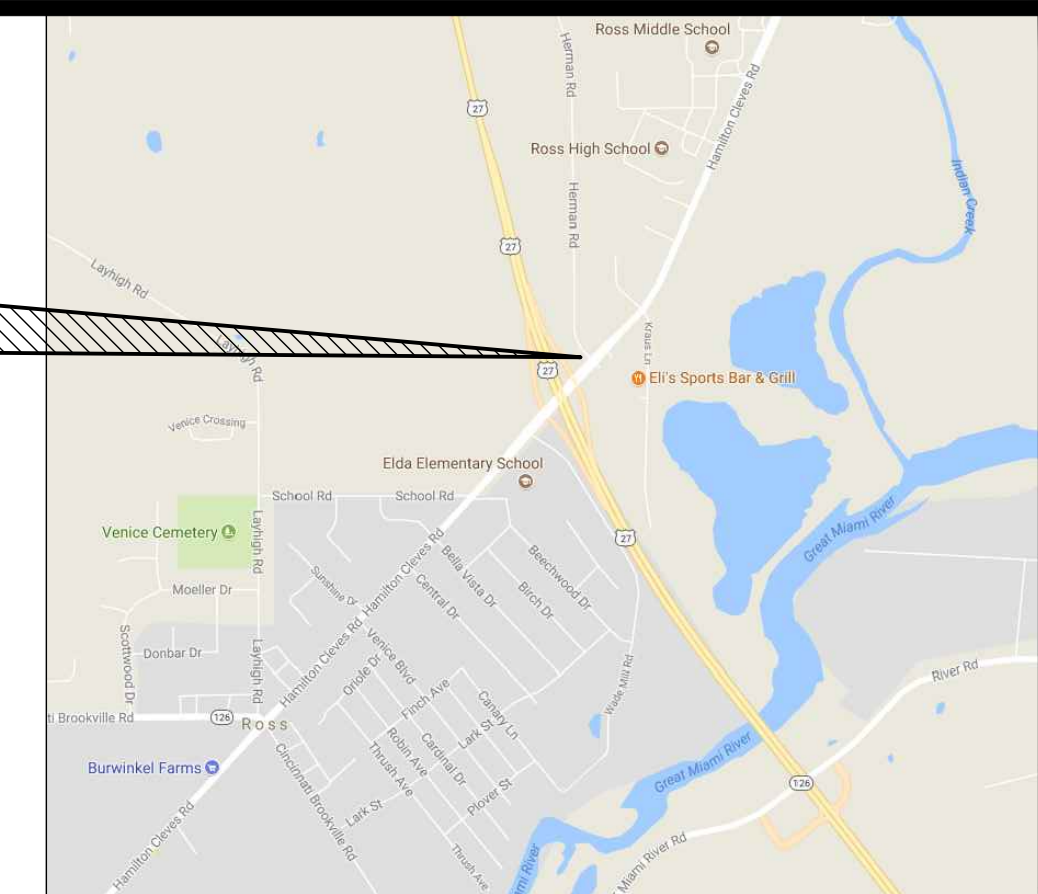
SITE BUILDING PAD EXCAVATION AND EMBANKMENT SHALL BE PER THE GEOTECHNICAL ENGINEER'S RECOMMENDATION AND APPROVAL



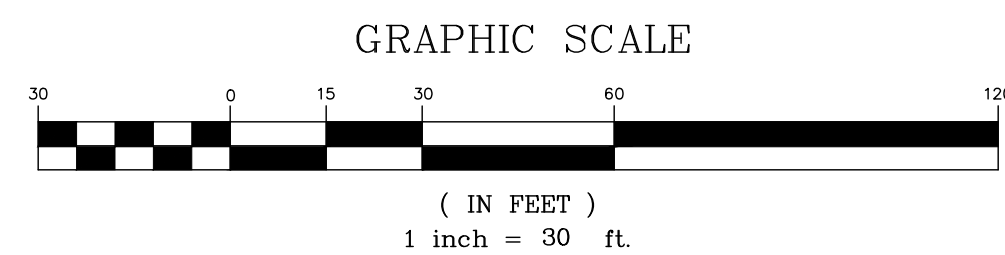
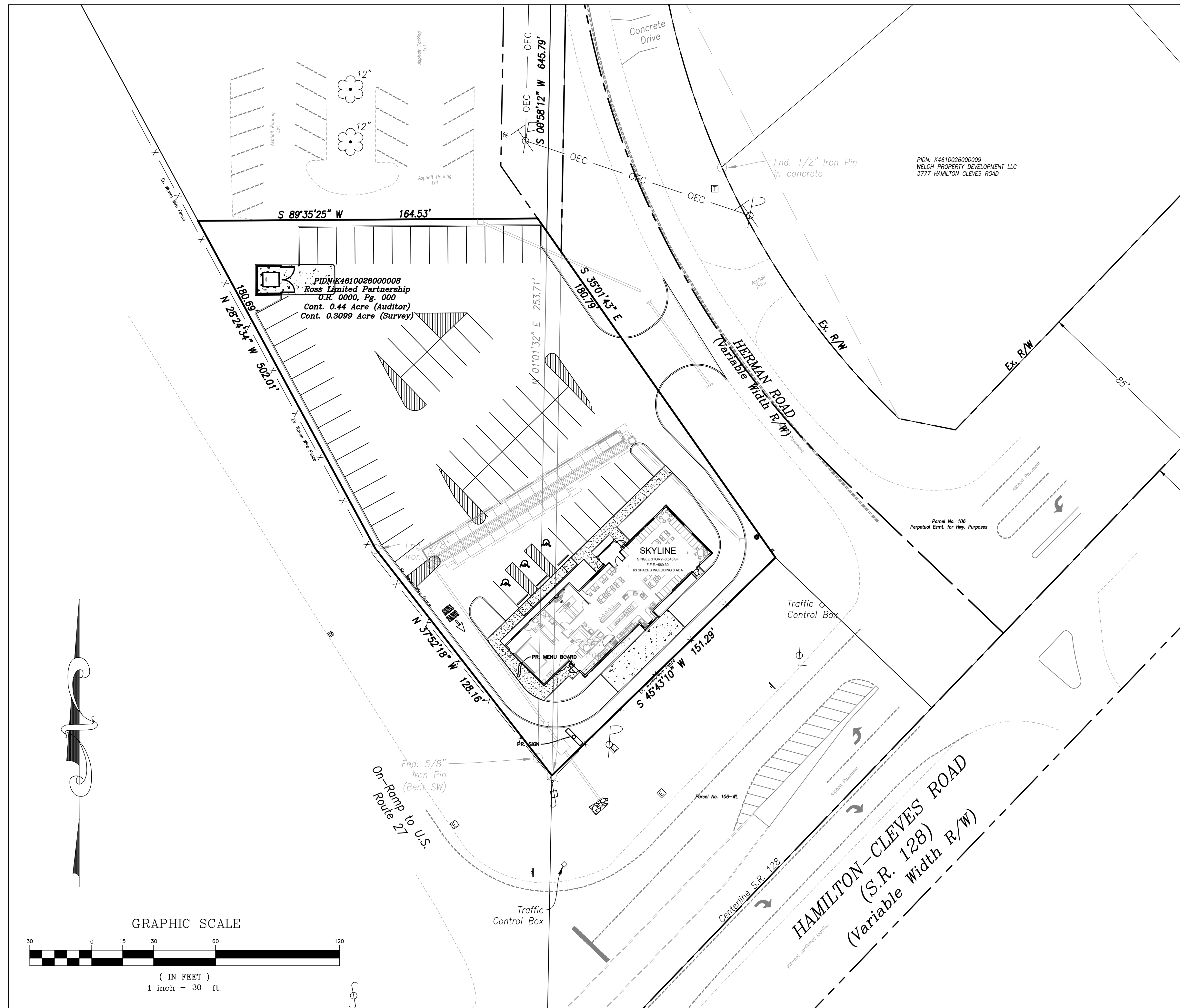
PLANS FOR THE CONSTRUCTION OF A NEW RESTAURANT KNOWN AS: SKYLINE CHILI - ROSS TOWNSHIP

3781 HERMAN ROAD, BUTLER COUNTY, OHIO
OCT., 2017

PROPOSED SITE



LOCATION MAP



DEPARTMENT/ UTILITY TABLE:

DUKE ENERGY-ELECTRIC
JOE ZUERNER
CINCINNATI, OHIO 45216
TEL: 513-287-4718
JOSEPH.ZUERNER@duke-energy.com

TIME WARNER CABLE
CABLE
11252 CORNELL PARK DR.
CINCINNATI, OH 45241
TEL: 513-469-1112

BUTLER COUNTY BUILDING
DEPARTMENT
130 HIGH STREET
HAMILTON, OH 45011
TEL: 513-887-3205

BUTLER COUNTY WATER & SEWER
TIM MCQUEEN
130 HIGH STREET
HAMILTON, OH 45011
TEL: 513-785-5168
FAX: 513-887-3777

DUKE ENERGY-GAS
HEATHER STAMPER
CINCINNATI, OHIO 45216
513-287-4635
HEATHER.STAMPER@duke-energy.com

ROSS TOWNSHIP
PLANNING AND ZONING DEVELOPMENT

BUTLER COUNTY ENGINEER
1921 FAIRGROVE AVE.
HAMILTON, OH 45011
TEL: 513-785-4142
TERESA BARNES, P.E.

SOUTHWEST REGIONAL WATER DISTRICT
3640 OLD OXFORD ROAD
HAMILTON, OHIO 45013
TEL: 513-863-0828

OWNER/APPLICANT:

CHILI FOUR LLC
4722 EBENEZER ROAD
CINCINNATI, OHIO 45248

CIVIL ENGINEERING:

EVANS ENGINEERING
4240 AIRPORT RD., SUITE 211
CINCINNATI, OHIO 45226
(513)-321-2168
JONATHAN R. EVANS, P.E.

SURVEYING:

LAND CONSULTANTS
314 FRONT STREET
LAWRENCEBURG, IN 47025
(812)-537-2145

INDEX:

- C-1 TITLE SHEET & GENERAL NOTES
- C-1.1 SITE CONSTRUCTION DETAILS
- C-2 EXISTING CONDITIONS & DEMO PLAN
- C-3 SITE DIMENSION PLAN
- C-3.1 UTILITY SERVICE PLAN
- C-4 GRADING PLAN
- C-5 STORMWATER POLLUTION PREVENTION PLAN (SWPPP) & NOTES

STANDARD DRAWINGS:

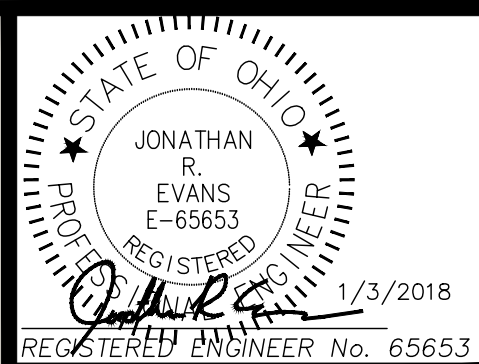
THE FOLLOWING ODOT AND LOCAL STANDARD DRAWINGS SHALL BE CONSIDERED A PART OF THIS PLAN:

- CB 1.1 (1-15-2016) CATCH BASINS NOs 2-2A & B
- CB 1.2 (1-15-2016) CATCH BASINS NOs 2-3 & 2-4
- CB 2.2 (1-15-2016) CATCH BASIN NO. 3A
- GR-1.1 (7-20-12) GUARDRAIL DETAILS
- GR-2.1 (7-20-12) GUARDRAIL, TYPE 5 & 5A
- MH 1.2 (1-15-2016) MANHOLE NO. 3
- BP-7.1 (7-18-2014) NEW CURB RAMPS WITH TRUNCATED DOMES
- DM-1.4 (4-21-2006) CONDUIT INSTALLATION

CONSTRUCTION SEQUENCE:

THE CONSTRUCTION SEQUENCING FOR SITE WORK SHOULD BE SIMILAR IN NATURE TO THE FOLLOWING:

1. CLEARING AND GRUBBING FOR THOSE AREAS NECESSARY FOR THE INSTALLATION OF EROSION AND SEDIMENT PERIMETER CONTROL MEASURES.
2. INSTALL EROSION AND SEDIMENT CONTROL MEASURES.
3. GRADING AND STRIPPING OF THE REMAINING AREAS OF THE DEVELOPMENT SITE OR PROJECT AREA.
4. DEMOLITION OF EXISTING FEATURES. (ANY DEMOLITION UNDER SEP. PERMIT)
5. INSTALL STORMWATER MANAGEMENT SYSTEMS.
6. TEMPORARY VEGETATIVE STABILIZATION OR EROSION AND SEDIMENT CONTROL MEASURES.
7. SITE CONSTRUCTION.
8. FINAL GRADING, STABILIZATION, AND LANDSCAPING.
9. REMOVAL OF EROSION AND SEDIMENT CONTROL MEASURES.



| REVISIONS | NO. & DESCRIPTION |
|-----------|-------------------|
| BY | |
| DATE | |

EVANS ENGINEERING
4240 AIRPORT ROAD, SUITE 211
CINCINNATI, OHIO 45226
(513) 321-2168



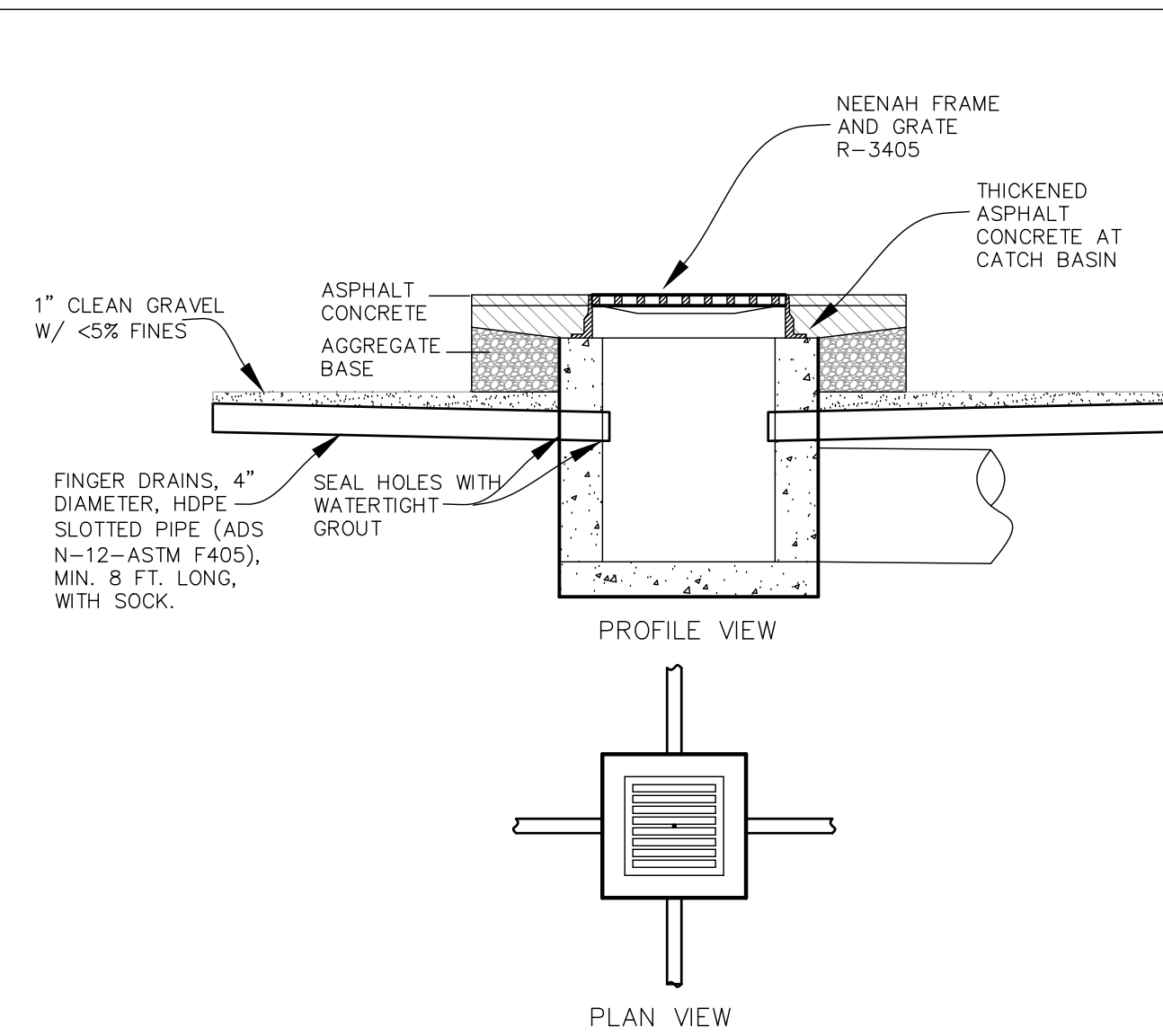
SKYLINE CHILI - ROSS TOWNSHIP
TITLE SHEET & GENERAL NOTES
3781 HERMAN ROAD,
ROSS TOWNSHIP, BUTLER COUNTY, OHIO

| | | |
|--------|--------|-------|
| SCALE: | HORIZ. | VERT. |
| | 1"=30' | N/A |

| | |
|---------|--------------|
| JOB NO. | 17-110 |
| DATE | Jan. 3, 2018 |

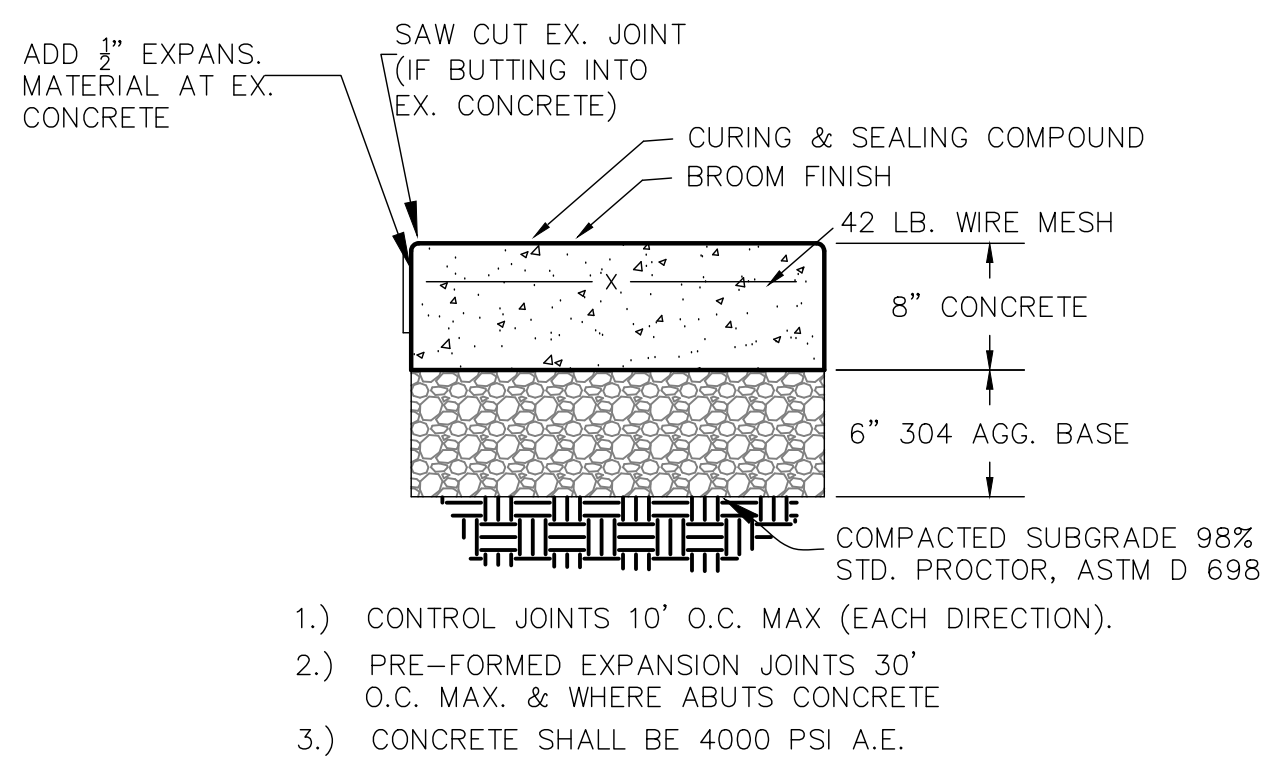
SHEET NO.

C-1

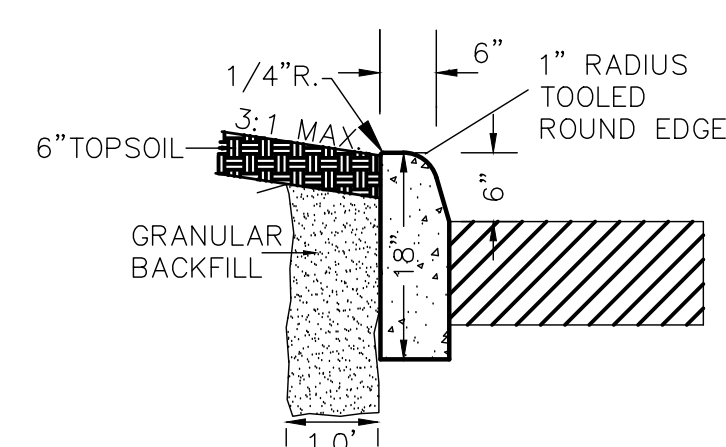


- NOTES:**
- PIPE TO BE HDPE SLOTTED-ADS N-12, ASTM F405 (OR EQUAL)
 - SLOPE PIPE AND TRENCH BOTTOM FOR POSITIVE DRAINAGE TO INLET-2% RECOMMENDED.
 - WRAP EACH SLOTTED PIPE IN FILTER SOCK.
 - FRAME AND GRATE SHALL BE NEENAH R-3405. (HEAVY DUTY FRAME AND GRATE)
 - FINGER DRAIN TO BE OMITTED WHEN THERE IS A CONFLICT BETWEEN INLET/OUTLET PIPE ELEVATIONS AND FINGER DRAIN.
 - HOLE FOR FINGER DRAIN SHALL BE SEALED WITH WATERTIGHT GROUT.

DETAIL AT CATCH BASIN IN PAVEMENT
NOT TO SCALE



CONCRETE PAVING DETAIL
NOT TO SCALE

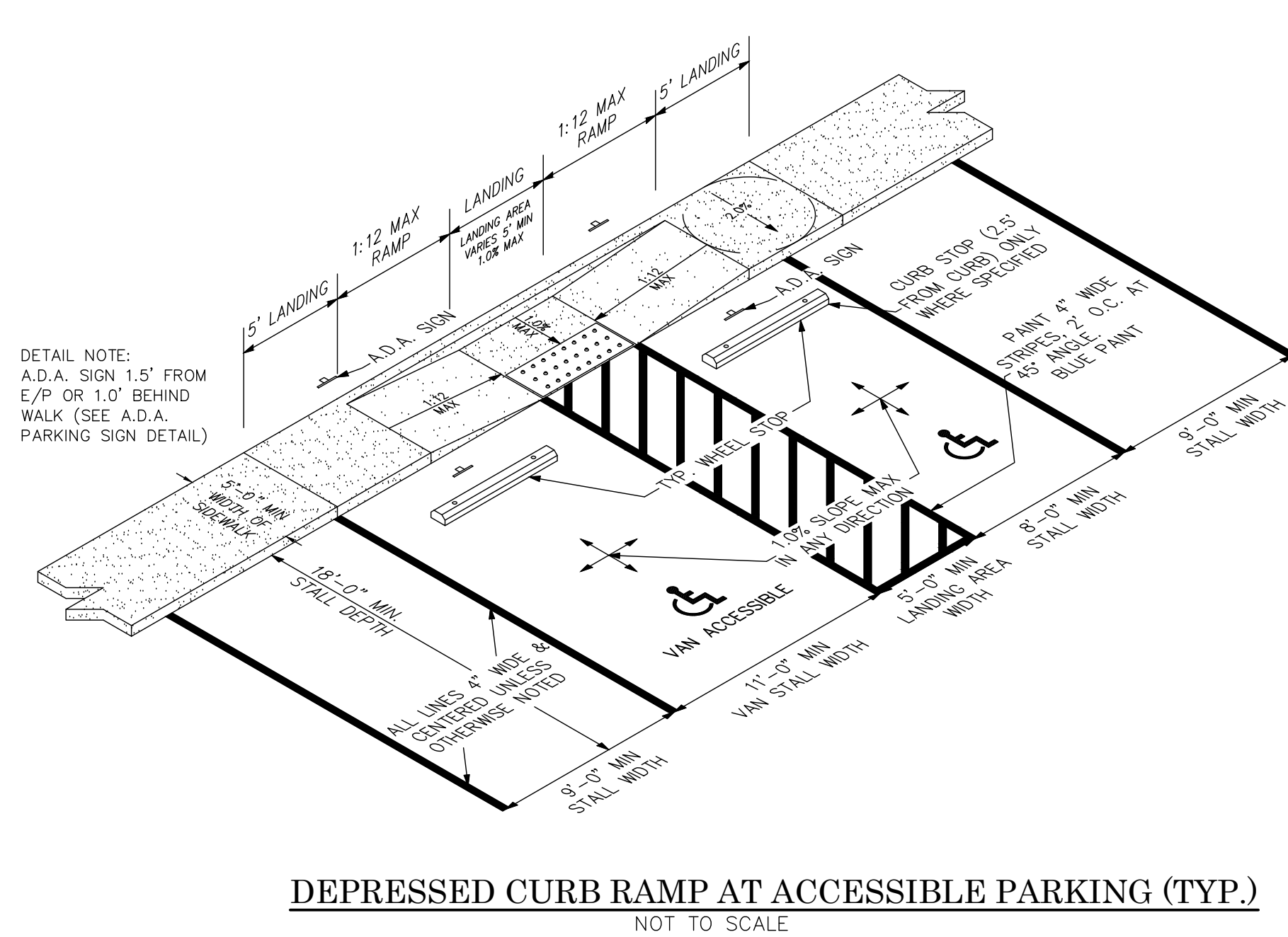


18" STRAIGHT CURB
NOT TO SCALE

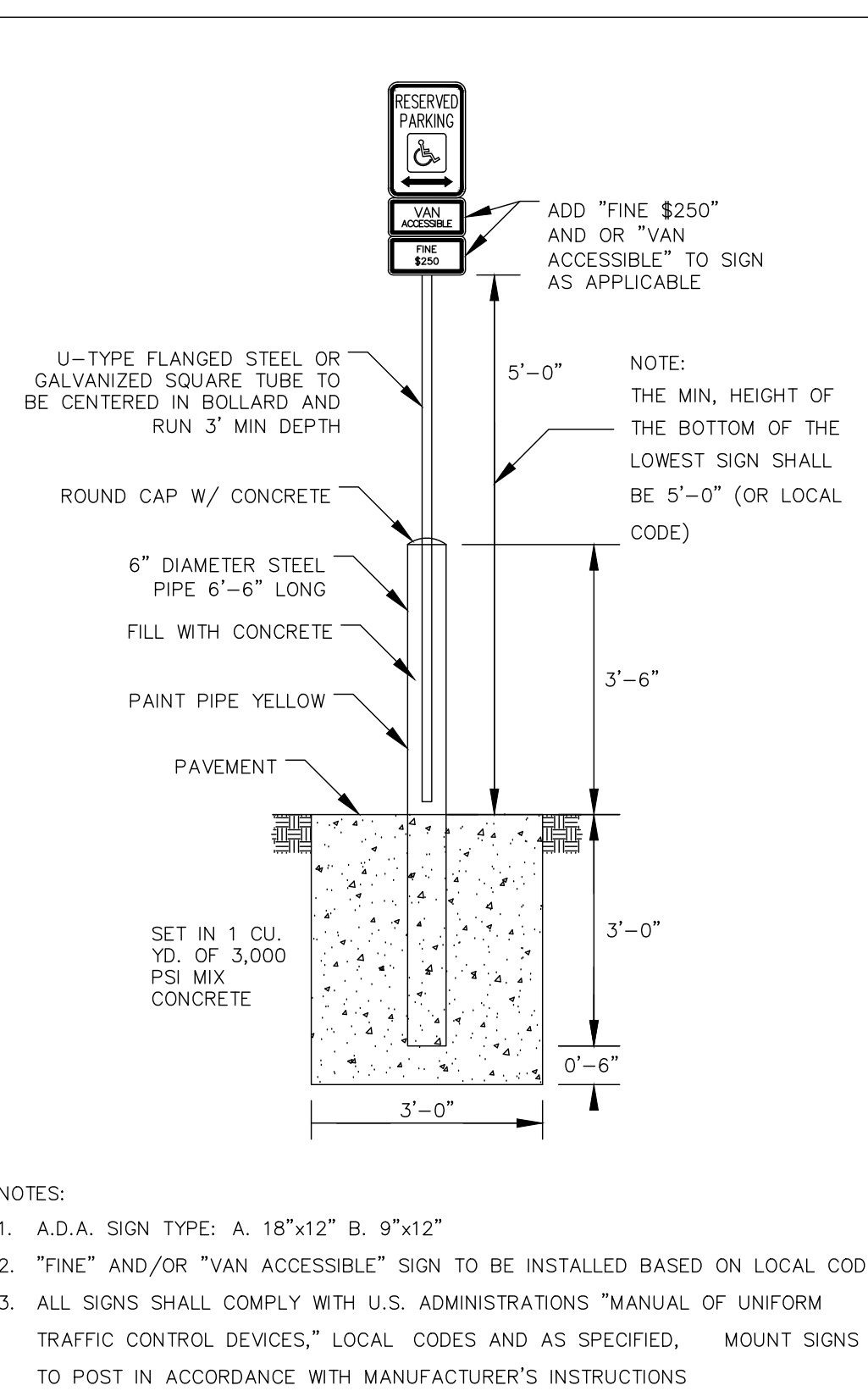


MEDIUM DUTY ASPHALT PAVING
NOT TO SCALE

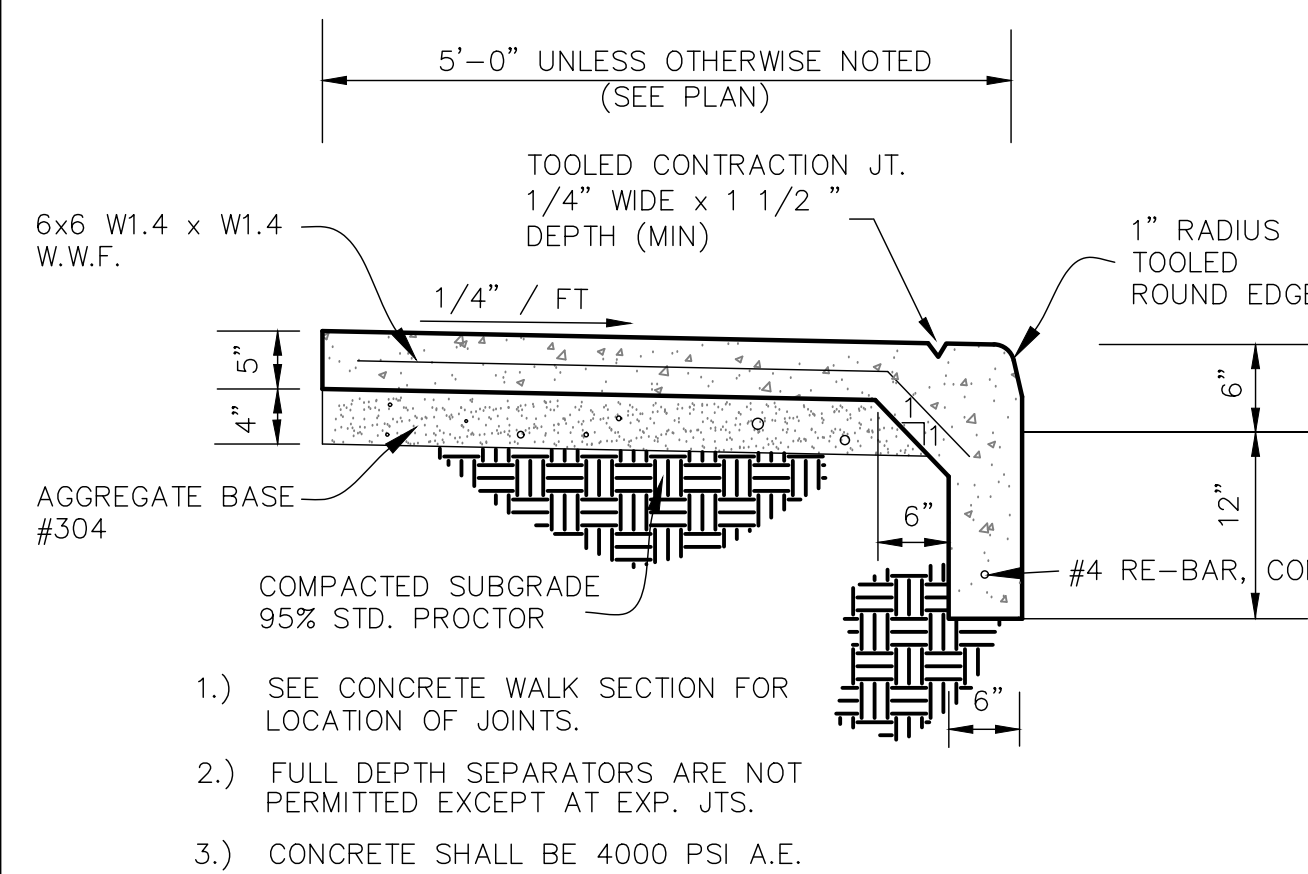
HEAVY DUTY ASPHALT PAVING
NOT TO SCALE



DEPRESSED CURB RAMP AT ACCESSIBLE PARKING (TYP.)
NOT TO SCALE



ADA PARKING SIGN DETAIL
NOT TO SCALE



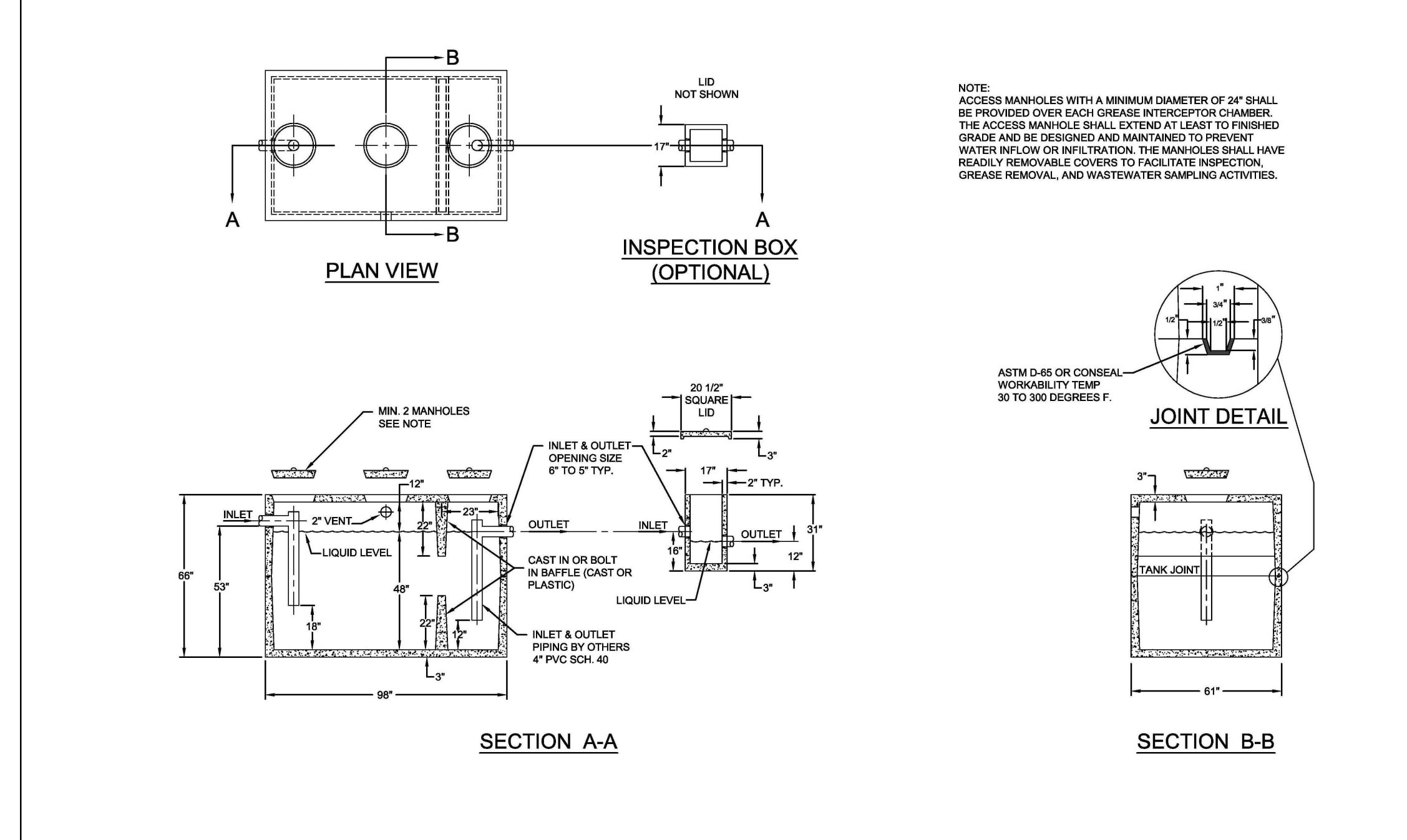
INTEGRAL WALK AND CURB
NOT TO SCALE

ADDITIONAL PAVING NOTES:

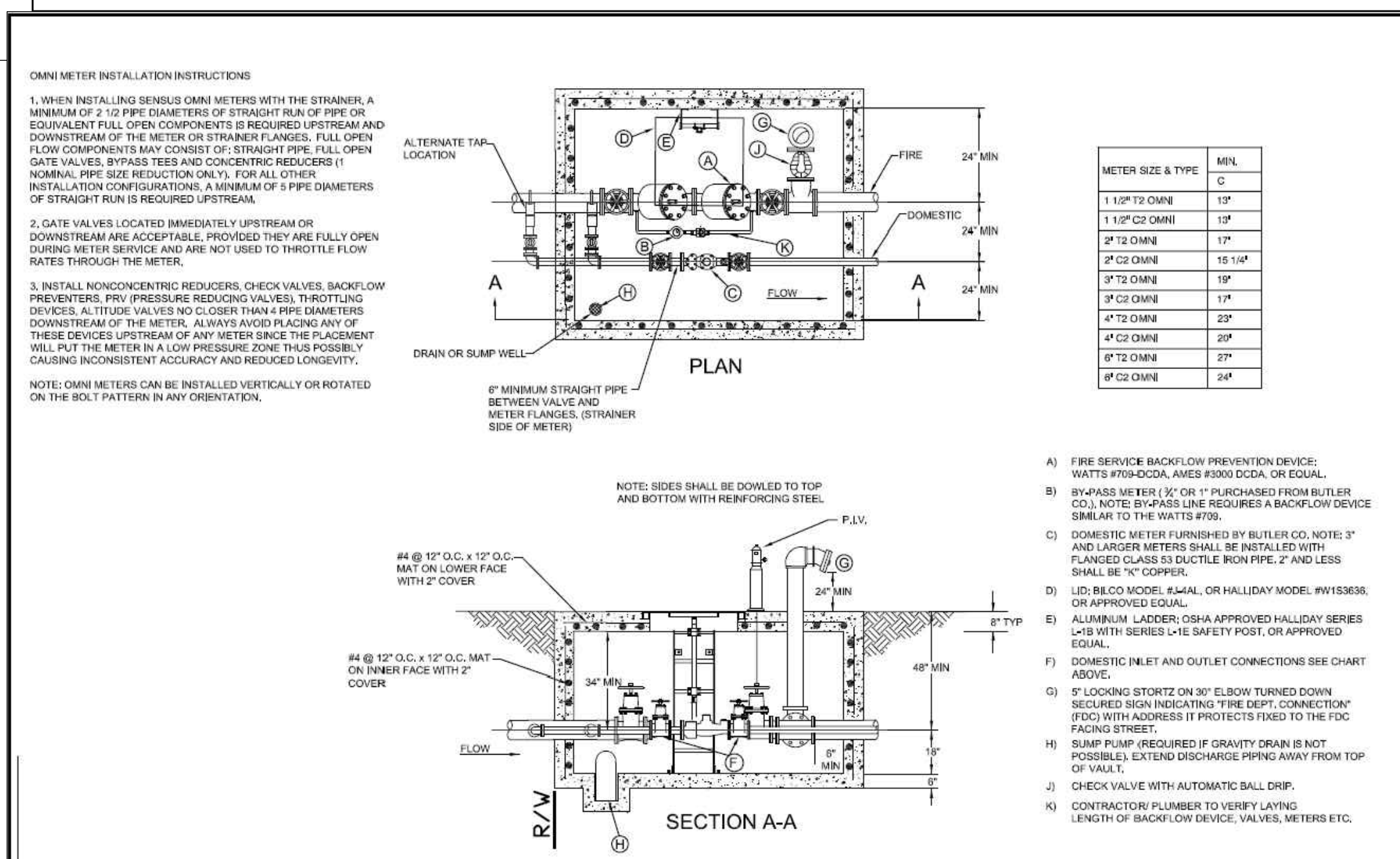
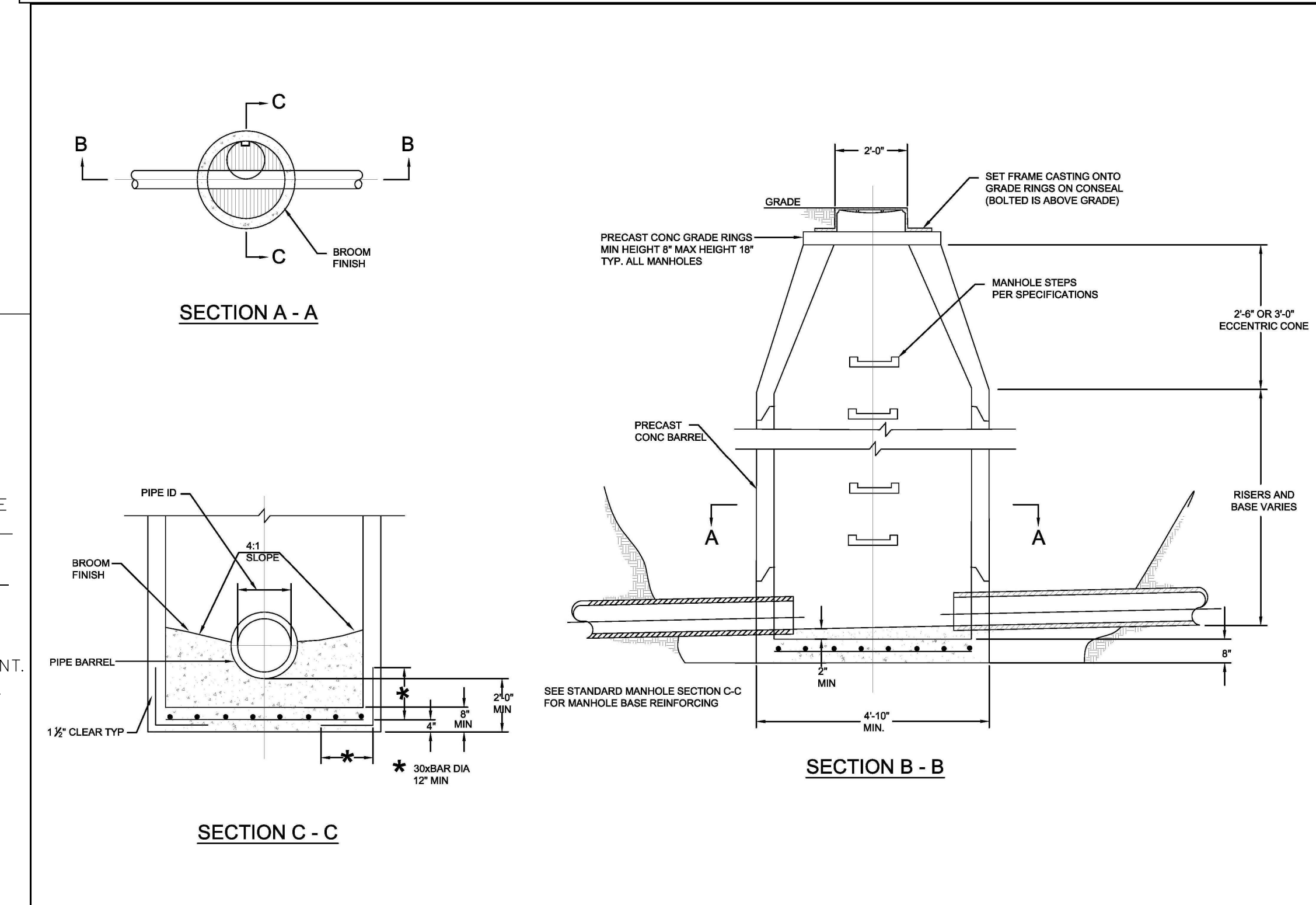
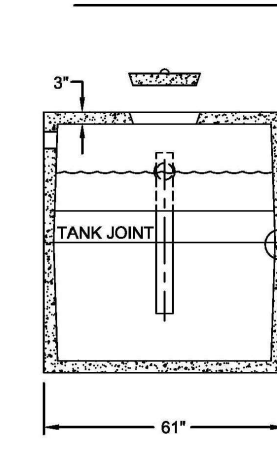
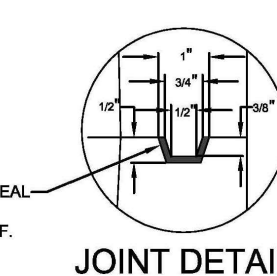
- AFTER BITUMINOUS PAVEMENT HAS BEEN REPLACED, SAWCUT OR ROUTE JOINT BETWEEN EXISTING AND NEW PAVEMENT AND FILL WITH HOT POURED RUBBER JOINT SEALER PRODUCT. HOT POURED RUBBER JOINT SEALER SHALL BE ONE OF THE FOLLOWING OR AN APPROVED EQUAL:
- ROADSAVER 221; CRAFCO INC.
 - PRODUCT #9005 OR #9030; KOCH MATERIAL COMPANY
 - SEALTIGHT HI-SPEC; W.R. MEADOWS, INC.

- 1 1/2" ODOT 448, TYPE 1, MED. BITUMINOUS SURFACE COURSE
- 2 1/2" ODOT 448, TYPE 2, MED. BITUMINOUS LEVELING COURSE
- 8" COMPACTED AGGREGATE BASE-#304 (2 LIFTS)

- 1 1/2" ODOT 448, TYPE 1, MED. BITUMINOUS SURFACE COURSE
- 3 1/2" ODOT 448, TYPE 2, MED. BITUMINOUS LEVELING COURSE
- 8" COMPACTED AGGREGATE BASE-#304 (2 LIFTS)



NOTE:
ACCESS MANHOLES WITH A MINIMUM DIAMETER OF 24" SHALL BE PROVIDED OVER EACH GRADE INTERCEPTOR CHAMBER. THE ACCESS MANHOLE SHALL EXTEND AT LEAST TO FINISHED GRADE AND BE DESIGNED AND MAINTAINED TO PREVENT WATER INFLOW OR INFILTRATION. THE MANHOLES SHALL HAVE READILY REMOVABLE COVERS TO FACILITATE INSPECTION, GREASE REMOVAL, AND WASTEWATER SAMPLING ACTIVITIES.



STATE OF OHIO
JONATHAN R. EVANS
E-65653
REGISTERED PROFESSIONAL ENGINEER
1/3/2018
REG. STATE ENGINEER No. 65653

REVISIONS
BY NO. & DESCRIPTION
DATE

STANDARD CONTROL MANHOLE

SCALE: HORIZ. VERT.
N/A N/A

JOB NO. 17-110
DATE Jan. 3, 2018

SHEET NO.
C-1.1

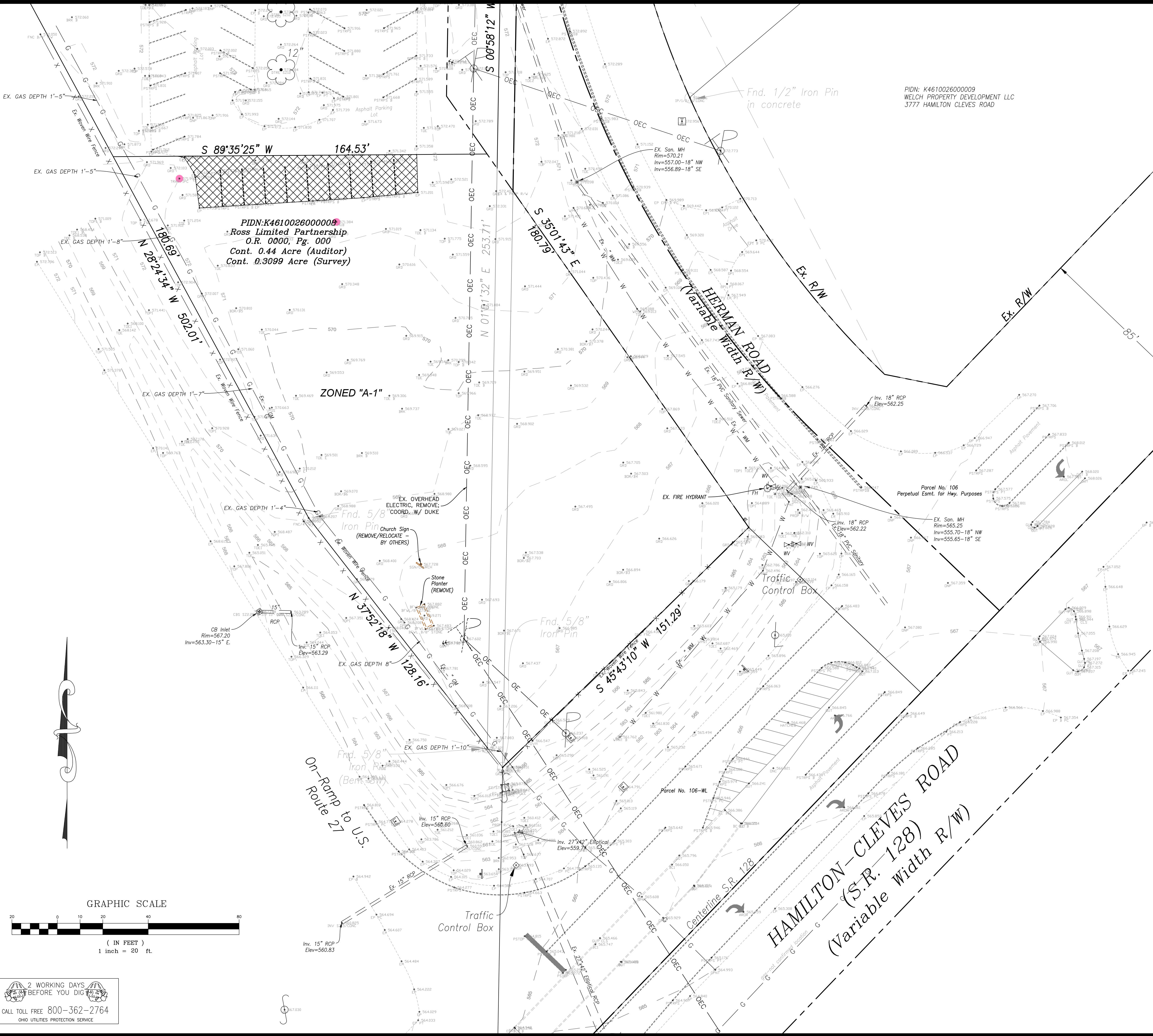
EVANS ENGINEERING
4240 AIRPORT ROAD, SUITE 211
CINCINNATI, OHIO 45226
(513) 321-2168

SKYLINE CHILI - ROSS TOWNSHIP
SITE CONSTRUCTION DETAILS
3781 HERMAN ROAD,
ROSS TOWNSHIP, BUTLER COUNTY, OHIO

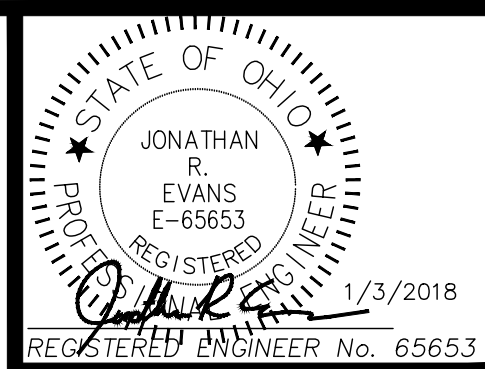
6310
6200

6110

6000




LEGEND-PROP. FEATURES



| REVISIONS | NO. & DESCRIPTION |
|-----------|-------------------|
| BY | |
| DATE | |

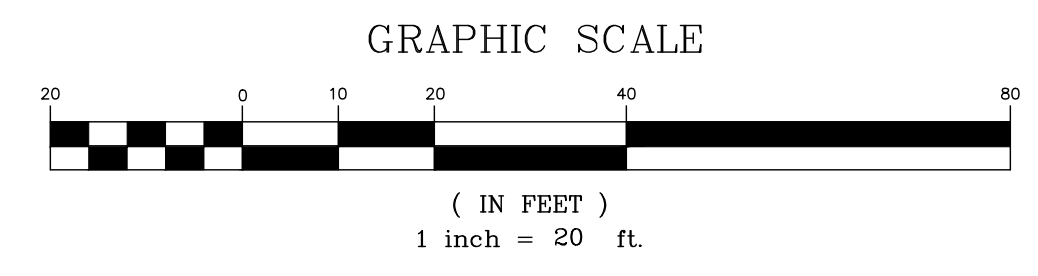
EVANS ENGINEERING
 4240 AIRPORT ROAD, SUITE 211
 CINCINNATI, OHIO 45226
 (513) 321-2168



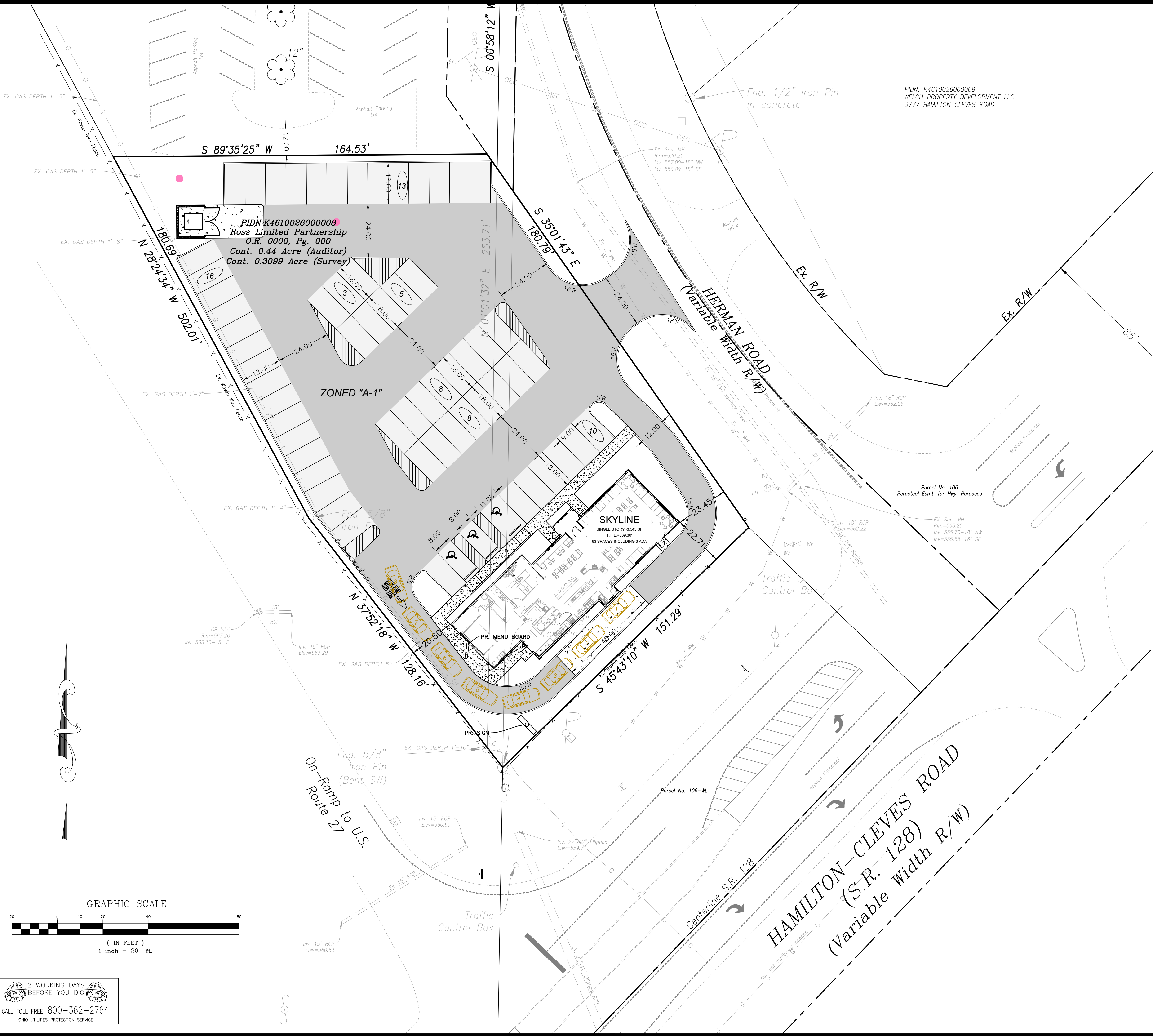
SKYLINE CHILI - ROSS TOWNSHIP
EXISTING CONDITIONS & DEMO PLAN
 3781 HERMAN ROAD,
 ROSS TOWNSHIP, BUTLER COUNTY, OHIO

| | | |
|---------|--------------|-------|
| SCALE: | HORIZ. | VERT. |
| | 1"=20' | N/A |
| JOB NO. | 17-110 | |
| DATE | Jan. 3, 2018 | |

SHEET NO.
 C-2



2 WORKING DAYS BEFORE YOU DIG
 CALL TOLL FREE 800-362-2764
 OHIO UTILITIES PROTECTION SERVICE



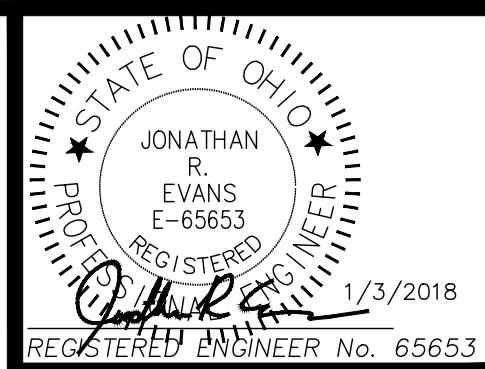
LEGEND-PROP. FEATURES

- NEW PORTLAND CEMENT CONCRETE PAVEMENT
- NEW PORTLAND CEMENT CONCRETE WALK
- NEW MEDIUM DUTY ASPHALT PAVEMENT
- NEW HEAVY DUTY ASPHALT PAVEMENT

SEE LANDSCAPE PLAN, BY OTHERS. ALL AREAS NOT PAVING, OR BUILDING ARE TO BE COVERED WITH GRASS/TURF UNLESS OTHERWISE NOTED.

NOTES:

1. CONTRACTOR SHALL FIELD VERIFY THE HORIZONTAL AND VERTICAL LOCATION OF ALL UTILITIES PRIOR TO BEGINNING CONSTRUCTION. THE CONTRACTOR SHALL BE RESPONSIBLE FOR THE COST FOR REPAIRING OR RELOCATING ALL UTILITIES AFFECTED BY CONSTRUCTION. LOCATIONS AS SHOWN ARE BASED UPON UTILITY RECORDS AND FIELD SURVEY BY LAND CONSULTANTS, JUNE 2017.
2. ALL UTILITY SERVICES SHOULD BE COORDINATED WITH THE LOCAL PROVIDER FOR OPTIMAL PLACEMENT OF SERVICES (SEE COVER SHEET FOR CONTACTS).
DUKE ENERGY - GAS/ELECTRIC
CINCINNATI BELL TELEPHONE - TELEPHONE
BUTLER COUNTY WATER & SEWER
SOUTHWEST REGIONAL WATER DISTRICT
FURTHERMORE, ALL BUILDING UTILITY CONNECTION POINTS SHALL BE VERIFIED WITH CURRENT ARCHITECTURAL AND M.E.P. PLANS PRIOR TO STARTING CONSTRUCTION.
3. THE COST OF ALL UTILITY TAPS AND COORDINATION FEES SHALL BE THE RESPONSIBILITY OF THE OWNER.
4. IF LOWEST LEVEL ELEVATION IS BELOW RIM ELEVATION OF UPSTREAM MANHOLE, THEN TAP MUST INCLUDE BACKFLOW PREVENTION OR BE PUMPED TO GRAVITY.
5. SANITARY CLEANOUTS WITHIN PAVEMENT SHALL HAVE NEENAH R-1976 LID AND FRAME.
6. COORDINATE WITH BCDES FOR BUILDING WATER TAP.
7. ROOF DRAINS, FOUNDATION DRAINS, COOLING WATER, SWIMMING POOL WATER OR OTHER CLEAN WATER CONNECTIONS TO THE SANITARY SEWER SYSTEM ARE PROHIBITED.
8. ROOF DRAINS SHALL BE SDR 35 AND TIED DIRECTLY INTO THE UNDERGROUND STORM SEWER SYSTEM.
9. SEE ELECTRICAL PLAN (BY OTHERS) FOR LOCATION OF METER PACKS.
10. A SIGN PERMIT IS NECESSARY. APPLICANT MUST SUBMIT AND GET APPROVAL BY ZONING DEPARTMENT AND BUILDING DEPARTMENT PRIOR TO CONSTRUCTION.
11. ALL DIMENSIONS ARE TO FACE OF CURB, CENTERLINE OF STRIPE, PROPERTY LINE OR R/W UNLESS OTHERWISE NOTED.
12. ALL CURB RADII ARE 3' UNLESS OTHERWISE NOTED.
13. ALL CONSTRUCTION STAGING ACTIVITIES MUST BE SELF-CONTAINED WITHIN THE LOT.
14. ALL STORAGE OF CONSTRUCTION MATERIALS, CONSTRUCTION STAGING AREAS AND THE PARKING OF CONSTRUCTION VEHICLES, INCLUDING VEHICLES OF WORKERS, SHALL OCCUR ONLY ON THE SUBJECT PROPERTY.
15. ONLY THE ACCESS POINTS LOCATED UPON THE PROPERTY SHALL BE USED BY ALL LABORERS, SUPPLIERS, CONTRACTORS AND OTHERS CONNECTED WITH SUCH CONSTRUCTION ACTIVITIES.
16. ALL CONCRETE FOR SITE WORK SHALL BE PER ODOT 452, CLASS "C", 4,000 PSI, 5-7% A.E.



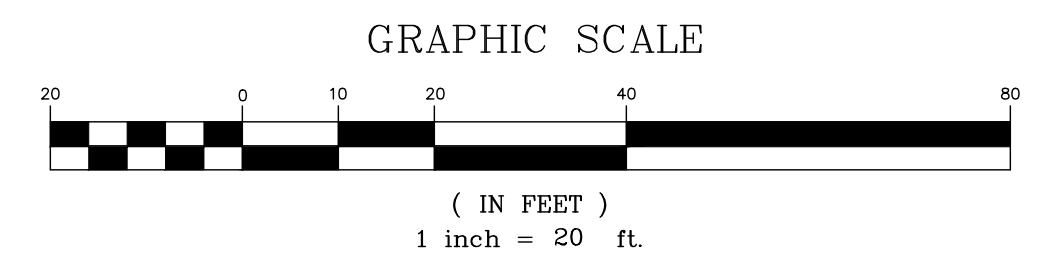
| REVISIONS | |
|-----------|-------------|
| NO. | DESCRIPTION |
| | |
| | |
| | |

EVANS ENGINEERING
 4240 AIRPORT ROAD, SUITE 211
 CINCINNATI, OHIO 45226
 (513) 321-2168

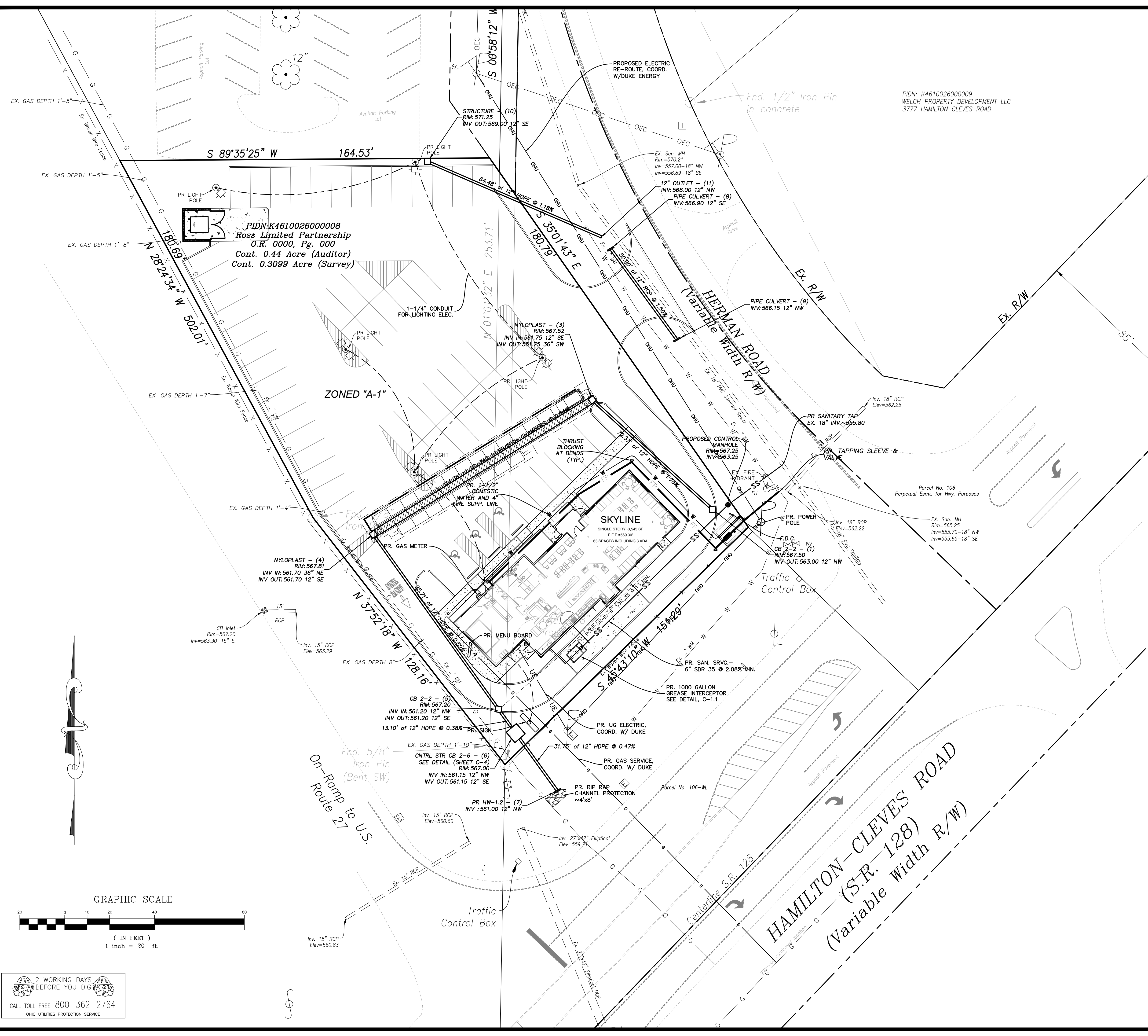
SKYLINE CHILI - ROSS TOWNSHIP
SITE DIMENSION PLAN
 3781 HERMAN ROAD,
 ROSS TOWNSHIP, BUTLER COUNTY, OHIO

| | | |
|---------|--------------|-------|
| SCALE: | HORIZ. | VERT. |
| | 1"=20' | N/A |
| JOB NO. | 17-110 | |
| DATE | Jan. 3, 2018 | |

SHEET NO.
 C-3



2 WORKING DAYS BEFORE YOU DIG
 CALL TOLL FREE 800-362-2764
 OHIO UTILITIES PROTECTION SERVICE

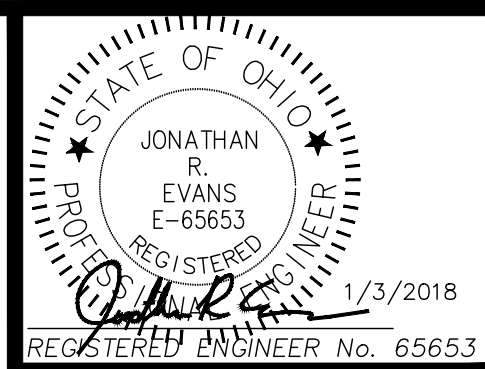


LEGEND-PROP. FEATURES

- PROPOSED DOMESTIC WATER SERVICE (1-1/2" LINE)
- PROPOSED FIRE SPRINKLER LINE (4" LINE)
- ALL WATER LINES TO HAVE A MINIMUM OF 42" OF COVER
- PROPOSED 6" SANITARY LATERAL PVC SDR 35 @ 2.08% MIN.
- PROPOSED ELECTRIC TRANSFORMER
- PROPOSED UNDERGROUND ELECTRIC SERVICE
- PROPOSED UNDERGROUND TELEPHONE SERVICE
- PROPOSED GAS SERVICE (SIZE TBD BY USE)
- INSTALL 4" CONDUIT WITH PULL STRING AND LOCATOR WIRE
- PROPOSED UNDERGROUND CABLE CONDUIT
- PROPOSED 1-1/4" CONDUIT FOR UG ELEC TO LIGHT POLES/SIGNS
- PR. DOWNSPOUT
- PR. SDR 35 ROOF DRAIN (SIZE AND SLOPE AS NOTED)

NOTES:

1. CONTRACTOR SHALL FIELD VERIFY THE HORIZONTAL AND VERTICAL LOCATION OF ALL UTILITIES PRIOR TO BEGINNING CONSTRUCTION. THE CONTRACTOR SHALL BE RESPONSIBLE FOR THE COST FOR REPAIRING OR RELOCATING ALL UTILITIES AFFECTED BY CONSTRUCTION. LOCATIONS AS SHOWN ARE BASED UPON UTILITY RECORDS AND FIELD SURVEY BY LAND CONSULTANTS, JUNE 2017.
2. ALL UTILITY SERVICES SHOULD BE COORDINATED WITH THE LOCAL PROVIDER FOR OPTIMAL PLACEMENT OF SERVICES (SEE COVER SHEET FOR CONTACTS).
DUKE ENERGY-GAS/ELECTRIC
CINCINNATI BELL TELEPHONE-TELEPHONE
BUTLER COUNTY WATER & SEWER
SOUTHWEST REGIONAL WATER DISTRICT
FURTHERMORE, ALL BUILDING UTILITY CONNECTION POINTS SHALL BE VERIFIED WITH CURRENT ARCHITECTURAL AND M.E.P. PLANS PRIOR TO STARTING CONSTRUCTION.
3. THE COST OF ALL UTILITY TAPS AND COORDINATION FEES SHALL BE THE RESPONSIBILITY OF THE OWNER.
4. IF LOWEST LEVEL ELEVATION IS BELOW RIM ELEVATION OF UPSTREAM MANHOLE, THEN TAP MUST INCLUDE BACKFLOW PREVENTION OR BE PUMPED TO GRAVITY.
5. SANITARY CLEANOUTS WITHIN PAVEMENT SHALL HAVE NEENAH R-1976 LID AND FRAME.
6. COORDINATE WITH BCDES FOR BUILDING WATER TAP.
7. ROOF DRAINS, FOUNDATION DRAINS, COOLING WATER, SWIMMING POOL WATER OR OTHER CLEAN WATER CONNECTIONS TO THE SANITARY SEWER SYSTEM ARE PROHIBITED.
8. ROOF DRAINS SHALL BE SDR 35 AND TIED DIRECTLY INTO THE UNDERGROUND STORM SEWER SYSTEM.
9. SEE ELECTRICAL PLAN (BY OTHERS) FOR LOCATION OF METER PACKS.
10. A SIGN PERMIT IS NECESSARY. APPLICANT MUST SUBMIT AND GET APPROVAL BY ZONING DEPARTMENT AND BUILDING DEPARTMENT PRIOR TO CONSTRUCTION.
11. ALL DIMENSIONS ARE TO FACE OF CURB, CENTERLINE OF STRIPE, PROPERTY LINE OR R/W UNLESS OTHERWISE NOTED.
12. ALL CURB RADI ARE 3' UNLESS OTHERWISE NOTED.
13. ALL CONSTRUCTION STAGING ACTIVITIES MUST BE SELF-CONTAINED WITHIN THE LOT.
14. ALL STORAGE OF CONSTRUCTION MATERIALS, CONSTRUCTION STAGING AREAS AND THE PARKING OF CONSTRUCTION VEHICLES, INCLUDING VEHICLES OF WORKERS, SHALL OCCUR ONLY ON THE SUBJECT PROPERTY.
15. ONLY THE ACCESS POINTS LOCATED UPON THE PROPERTY SHALL BE USED BY ALL LABORERS, SUPPLIERS, CONTRACTORS AND OTHERS CONNECTED WITH SUCH CONSTRUCTION ACTIVITIES.
16. ALL CONCRETE FOR SITE WORK SHALL BE PER ODOT 452, CLASS "C", 4,000 PSI, 5-7% A.E.
17. GAS SERVICE BROUGHT TO R/W BY DUKE UNDER SEPARATE PERMIT FROM ODOT. LEAVE PIT OPENING EVERY 100 FEET FOR DUKE GAS.



| REVISIONS | NO. | DESCRIPTION |
|-----------|-----|-------------|
| BY | | |
| DATE | | |

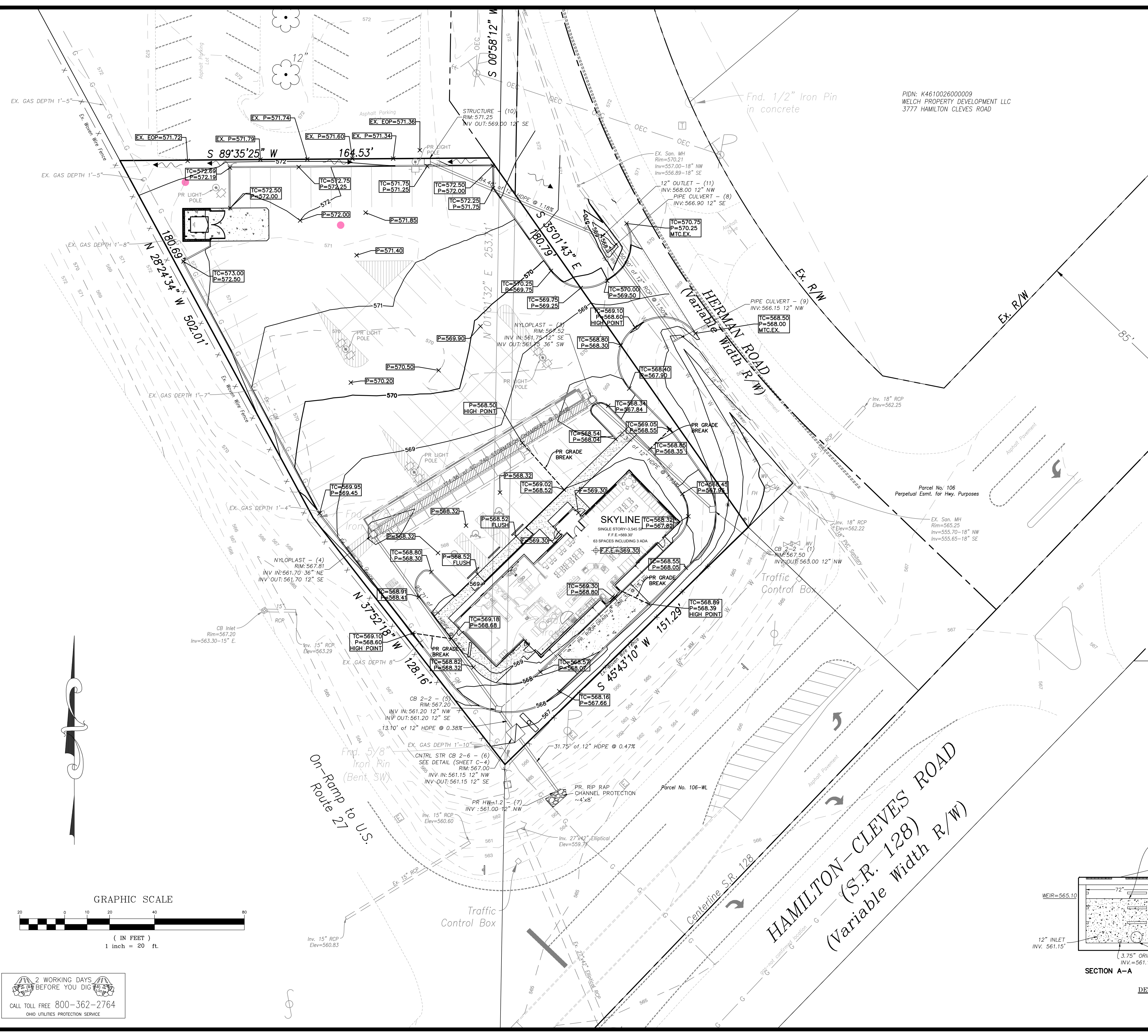
EVANS ENGINEERING
 4240 AIRPORT ROAD, SUITE 211
 CINCINNATI, OHIO 45226
 (513) 321-2168

SKYLINE CHILL - ROSS TOWNSHIP
UTILITY SERVICE PLAN
 3781 HERMAN ROAD,
 ROSS TOWNSHIP, BUTLER COUNTY, OHIO

| | | |
|---------|--------------|-------|
| SCALE: | HORIZ. | VERT. |
| | 1"=20' | N/A |
| JOB NO. | 17-110 | |
| DATE | Jan. 3, 2018 | |

SHEET NO.
 C-3.1

2 WORKING DAYS BEFORE YOU DIG
 CALL TOLL FREE 800-362-2764
 OHIO UTILITIES PROTECTION SERVICE



GRADING LEGEND

- TC=TOP OF CURB ELEVATION
- P=FINISHED GRADE (PAVEMENT)
- F = FINISHED GRADE
- TW=TOP OF WALL
- BW=BOTTOM OF WALL
- B/C=EXISTING BACK OF CURB GRADE
- B/W=EXISTING BACK OF WALL GRADE
- EX.=EXISTING GRADE

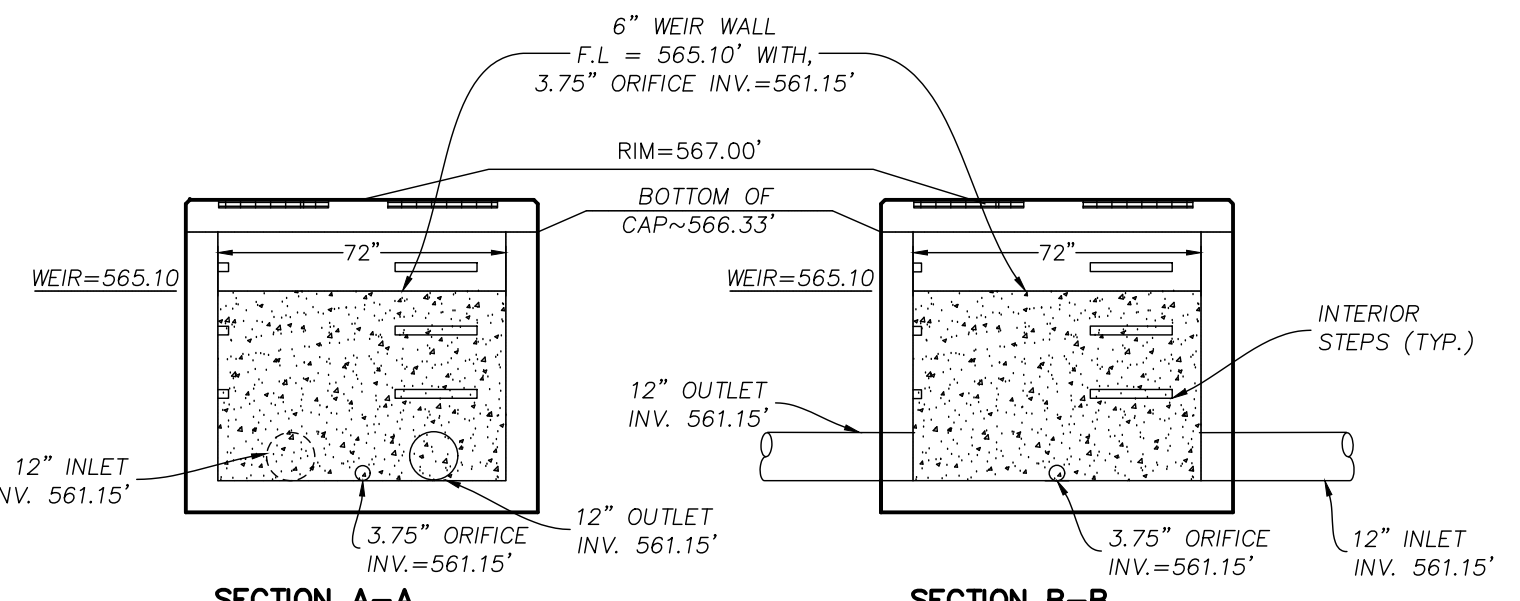
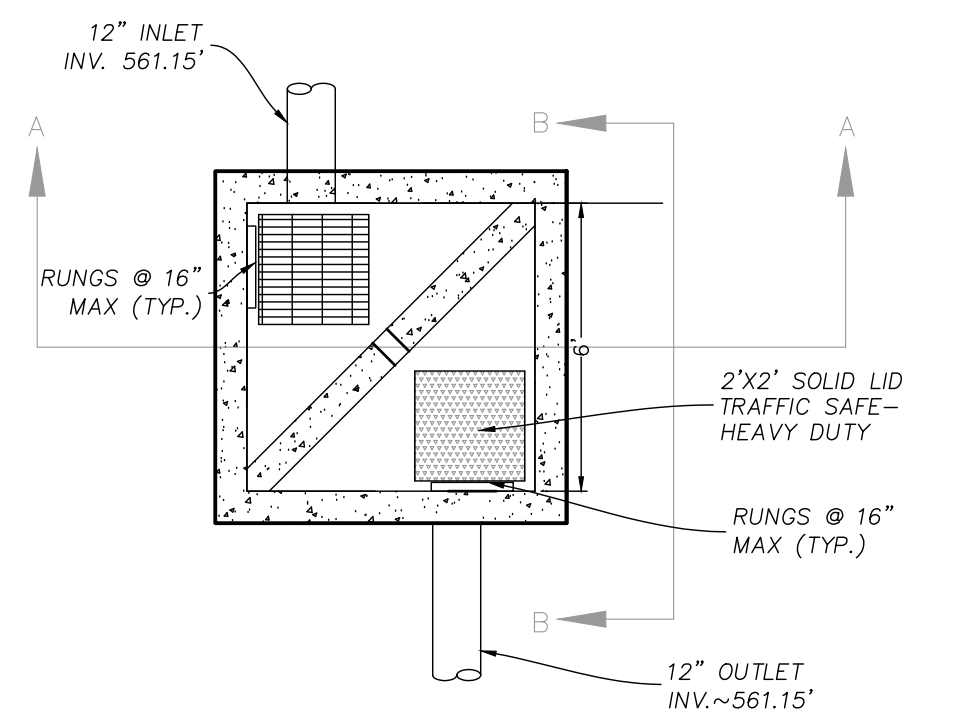
GEOTECHNICAL NOTES:

1. THE CONTRACTOR SHALL USE THE "SUBSURFACE EXPLORATION & GEOTECHNICAL RECOMMENDATIONS" AS PREPARED BY ALT & WITZIG ENGINEERING, DATED APRIL 24, 2017 AND ANY SUBSEQUENT CORRESPONDENCE BY (AWE) AS THE TECHNICAL GUIDE FOR EARTHWORK OPERATIONS.
2. ALL GRADES SHOWN ON PLANS ARE FINAL, FINISHED GRADE.
3. EXISTING TOPSOIL MATERIALS AND STUMPS SHALL BE STRIPPED/REMOVED FROM THE CONSTRUCTION AREA AND WASTED OR STOCKPILED FOR REUSE LATER. THE EXACT DEPTH OF STRIPPING SHOULD BE DETERMINED BY A REPRESENTATIVE OF THE GEOTECHNICAL FIRM IN THE FIELD AT THE TIME OF STRIPPING. STUMPS SHALL BE DISPOSED OF PER LOCAL RULES AND REGULATIONS.
4. EXPOSED SUBGRADE SHALL BE PROFFEROLLED TO DETERMINE ANY AREAS OF SOFT UNSUITABLE MATERIAL, PRIOR TO REFILLING.
5. IF UNSTABLE SOILS ARE ENCOUNTERED THE PROJECT GEOTECHNICAL ENGINEER SHALL BE CONSULTED FOR RECOMMENDED PROCEDURES TO PROVIDE FOR THE PROPER REMOVAL AND REPLACEMENT WITH SUITABLE FILL MATERIAL.
6. RECOMMENDED SPECIFICATIONS FOR COMPACTED FILLS AND BACKFILLS:

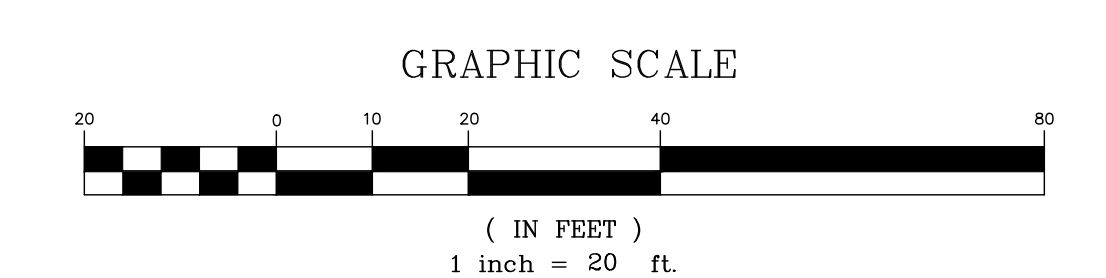
ALL FILLS SHALL BE FORMED FROM MATERIAL FREE OF VEGETABLE MATTER, RUBBISH, LARGE ROCK, AND OTHER DELETERIOUS MATERIAL. PRIOR TO PLACEMENT OF FILL, A SAMPLE OF THE PROPOSED FILL MATERIAL SHOULD BE SUBMITTED TO THE SOIL ENGINEER FOR HIS APPROVAL AND STANDARD PROCTOR TEST. THE FILL MATERIAL SHOULD BE PLACED IN LAYERS NOT TO EXCEED EIGHT (8") INCHES IN LOOSE THICKNESS AND SHOULD BE SPRINKLED WITH WATER, OR DRIED, AS REQUIRED TO SECURE SPECIFIED COMPACTIONS. EACH LAYER SHOULD BE UNIFORMLY COMPACTED BY MEANS OF SUITABLE EQUIPMENT OF THE TYPE REQUIRED BY THE MATERIALS COMPOSING THE FILL (SHEEPSFOOT ROLLER FOR CLAYEY SOILS.) UNDER NO CIRCUMSTANCES SHOULD TRACKED VEHICLES BE USED AS COMPACTING EQUIPMENT. MATERIAL CONTAINING AN EXCESS OF WATER SO THE SPECIFIED COMPACTION LIMITS CANNOT BE ATTAINED SHOULD BE SPREAD AND DRIED TO A MOISTURE CONTENT THAT WILL PERMIT PROPER COMPACTION. ALL FILL SHOULD BE COMPACTED TO THE SPECIFIED PERCENT OF THE MAXIMUM DRY DENSITY OBTAINED IN ACCORDANCE WITH ASTM DENSITY TEST D-698 (98% OF THE MAXIMUM DRY DENSITY). SHOULD THE RESULTS OF THE IN-PLACE DENSITY TEST INDICATE THAT THE SPECIFIED COMPACTION LIMITS ARE NOT OBTAINED, THE AREAS REPRESENTED BY SUCH TESTS SHOULD BE REMOVED AND REPLACED OR REWORKED AND RETESTED AS REQUIRED UNTIL THE SPECIFIED MINIMUMS ARE REACHED.
7. THE OWNER OR OWNER'S AGENT SHOULD RETAIN THE SERVICES OF A GEOTECHNICAL TESTING FIRM (AWE) WHO SHOULD BE SCHEDULED BY THE CONTRACTOR 24 HOURS PRIOR TO ANY WORKING DAY. NO FILL MAY BE PLACED WITHOUT NOTIFICATION OF TESTING FIRM. OWNER TO DETERMINE ACTUAL FREQUENCY OF TESTING. DESIGNER RECOMMENDS FULL-TIME OBSERVATION/TESTING.

SPECIAL NOTES:

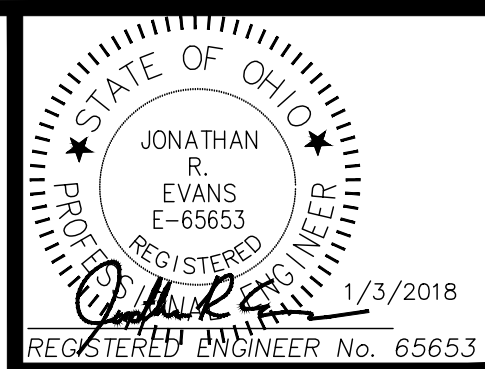
- CONTRACTOR SHALL CONSULT WITH GEOTECHNICAL ENGINEER BEFORE COMMENCING EARTHMOVING ACTIVITIES.
- TOPSOIL ~6" SHOULD BE DISTRIBUTED BACK ACROSS LANDSCAPE AREAS PRIOR TO SEEDING.
- CONTRACTOR SHALL DISPOSE OF EXCESS MATERIAL IN ACCORDANCE WITH ALL LOCAL AND STATE CODES AND PERMIT REQUIREMENTS. EXPORTED MATERIAL SHALL BE TRANSPORTED TO AN APPROVED FILL AREA.



DETENTION CONTROL STRUCTURE
STRUCTURE NO. 6
MODIFIED ODOT CB 2-6
SCALE: 1" = 4'
4.00



2 WORKING DAYS BEFORE YOU DIG
CALL TOLL FREE 800-362-2764
OHIO UTILITIES PROTECTION SERVICE



| REVISIONS | NO. & DESCRIPTION |
|-----------|-------------------|
| BY | |
| DATE | |

EVANS ENGINEERING
4240 AIRPORT ROAD, SUITE 211
CINCINNATI, OHIO 45226
(513) 321-2168



SKYLINE CHILL - ROSS TOWNSHIP
GRADING PLAN
3781 HERMAN ROAD,
ROSS TOWNSHIP, BUTLER COUNTY, OHIO

| | | |
|---------|--------------|-------|
| SCALE: | HORIZ. | VERT. |
| | 1"=20' | N/A |
| JOB NO. | 17-110 | |
| DATE | Jan. 3, 2018 | |

SHEET NO.

